

ROUND CUP 110 ML.

Cod.: VRO11

REV. 1 - 11/07/2016



RAW MATERIAL

PP - Polypropylene

CLOSURE SYSTEM

Snap + Tamper evidence

DECORATION

I.M.L.

PACKING

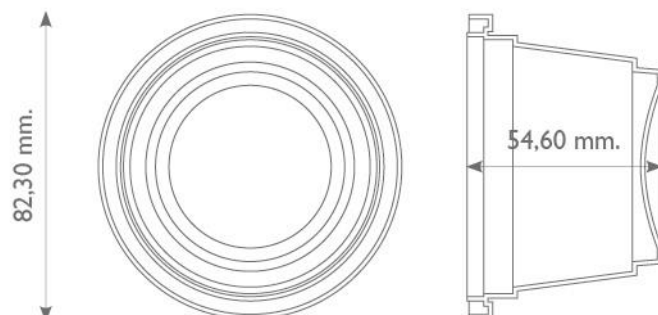
Box A6
390 x 600 x 370 mm.

DIMENSION G./CC.

Weight (g.)	9
Brimful volume (cc.)	158
Useful volume (cc.)	140

N° x box	1089
Weight box (Kg.)	9,8
N° boxes x pallet	20
Weight pallet (Kg.)	239
N° x pallet	21780

DIMENSION MM.



ROUND LID 110 ML.

Cod.: CRO11

REV. 1 - 11/07/2016



RAW MATERIAL

PS - Polystirene

CLOSURE SYSTEM

Snap + Tamper evidence

DECORATION

I.M.L.

IMBALLAGGIO

Box A6
390 x 600 x 370 mm.

DIMENSION G./CC.

Weight (g.) 5,2
Brimful volume (cc.) //
Useful volume (cc.) //

N° x box	3290
Weight box (Kg.)	17,10
N° boxes x pallet	16
Weight pallet (Kg.)	385
N° x pallet	65800

DIMENSION MM.

